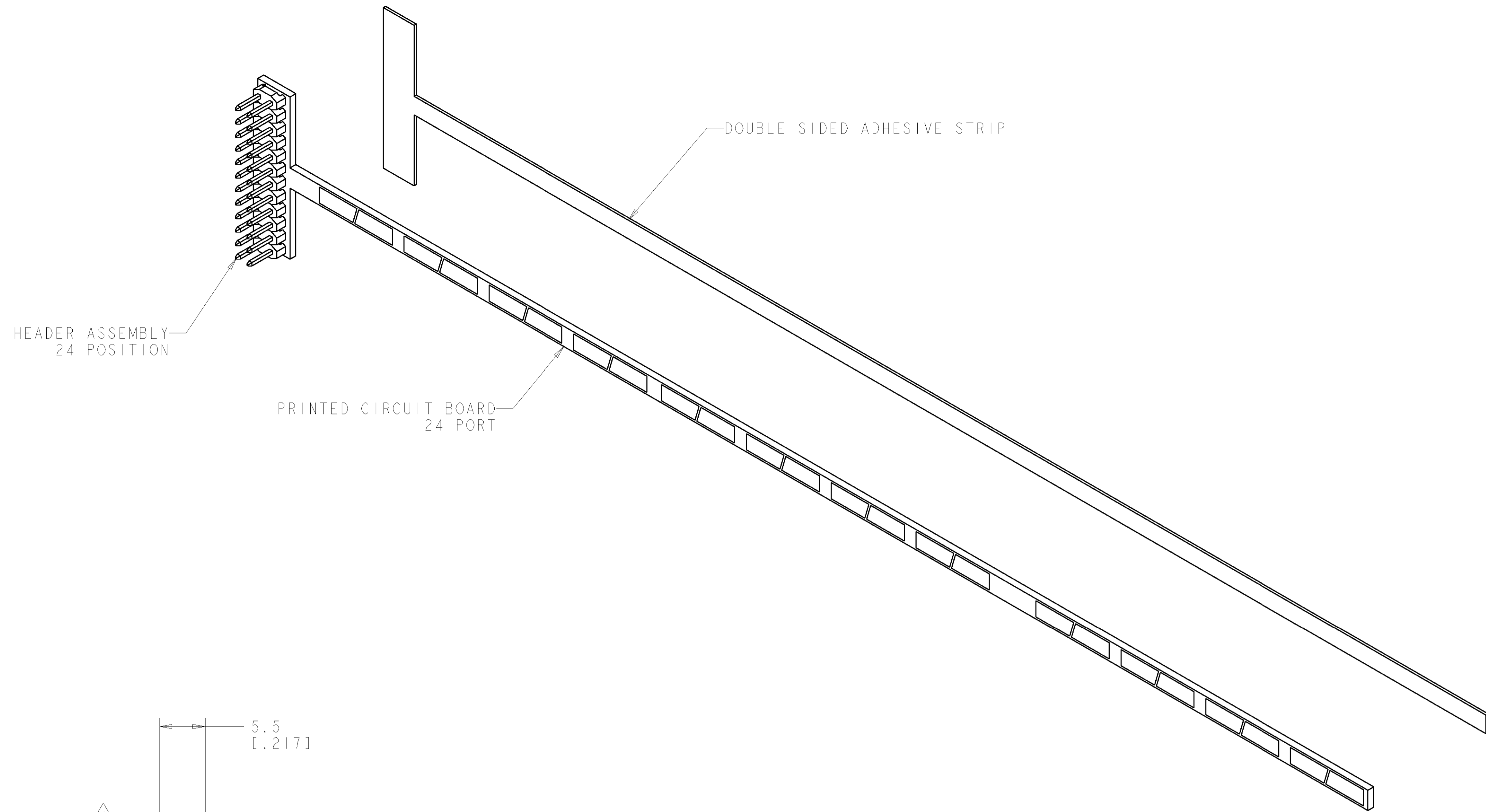
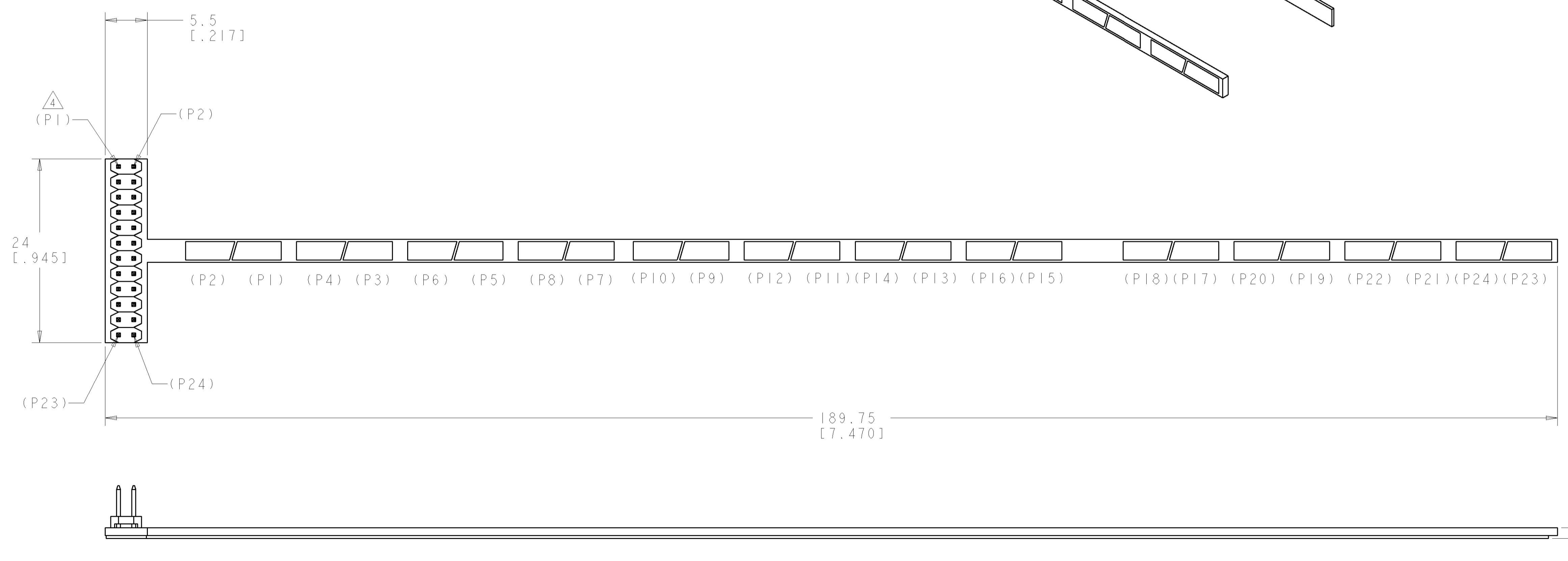


LOC		DIST		REVISIONS			
HM	00	P.	LTR	DESCRIPTION	DATE	DWN	APVD
		A		RLSD: NPR NS004-160	01DEC2004	GG	MD
		B		ADD: -2; ECO-06-009751	25APR2006	GG	MD



- 1. MATERIAL:
 PRINTED CIRCUIT BOARD - LAMINATED
 PLASTIC FR-4, 1.00 [.039] THICK.
 ADHESIVE TAPE - MYLAR, 0.38 [.015] THICK.
 HOUSING - THERMOPLASTIC, UL94V-0, BLACK.
 CONTACTS - COPPER ALLOY.
- 2. ALL DIMENSIONS SHOWN ARE NOMINAL.
- 3. PARENTHESIS () ARE FOR REFERENCE ONLY.
 NOT SHOWN ON BOARD.
- 4. (P_) CALLOUTS ARE FOR PIN TO PAD
 REFERENCE ONLY.

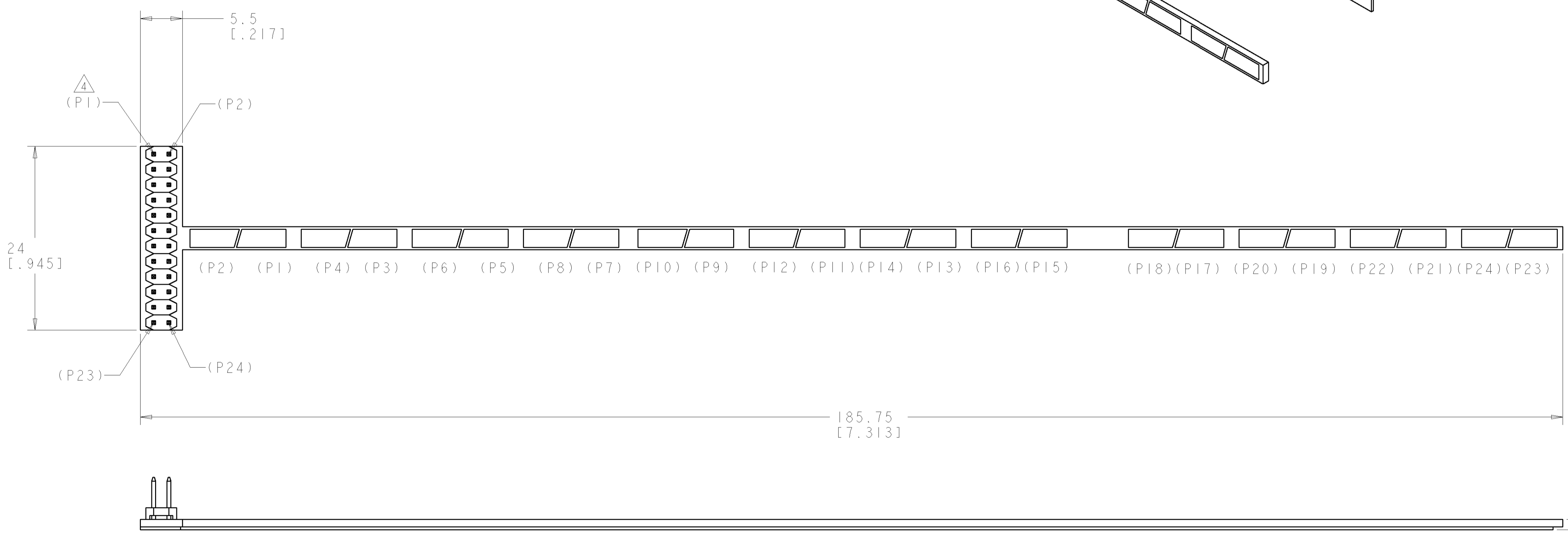
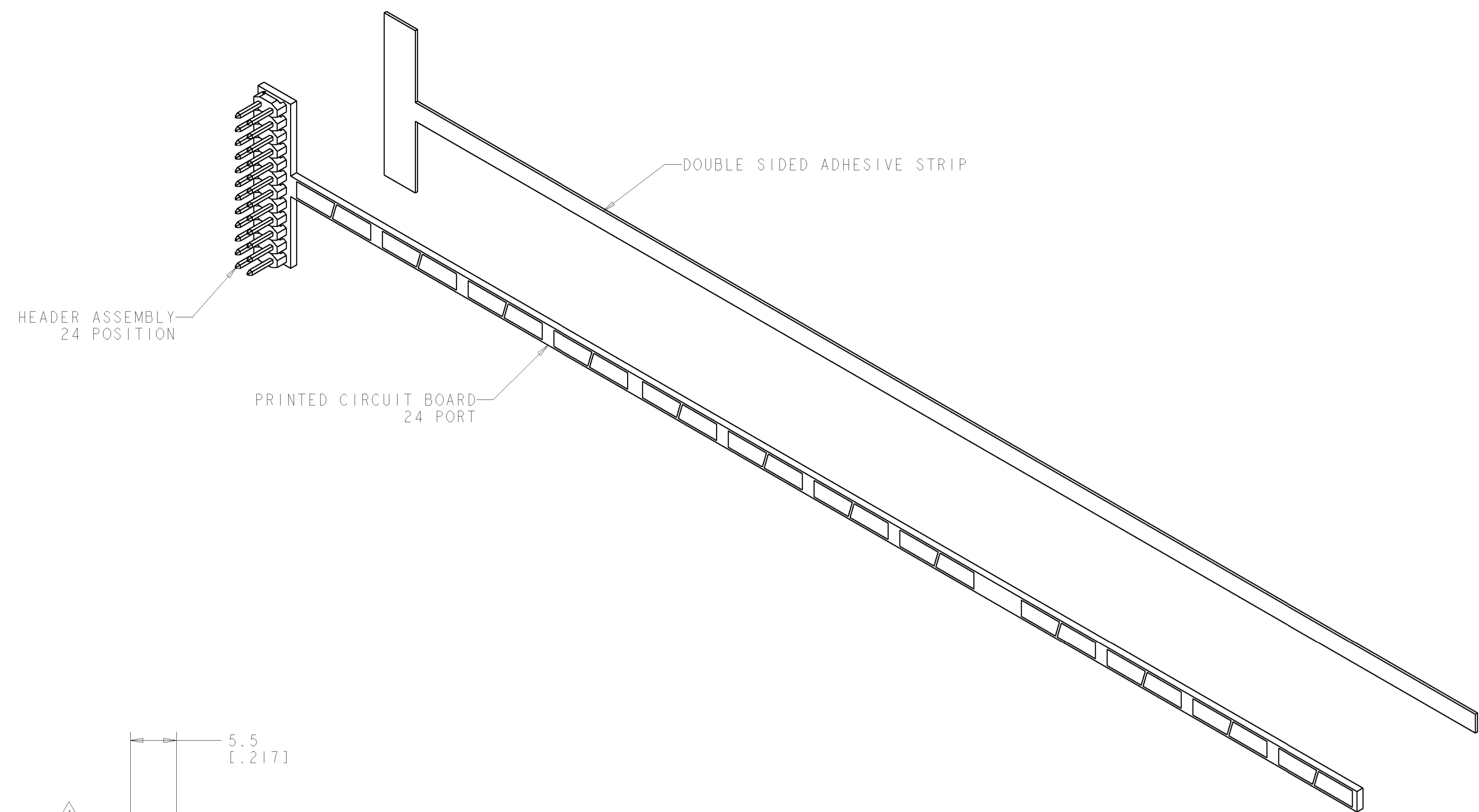


1777014-1 SHOWN

SHEET 2	1777014-2
SHEET 1	1777014-1
SHOWN ON	PART NUMBER

<small>THE DIMENSIONS IN THIS DRAWING ARE UNLESS OTHERWISE SPECIFIED TO THE DIMENSIONS OF THE PARTS MANUFACTURED BY TYCO ELECTRONICS CORPORATION. IT IS THE BUYER'S RESPONSIBILITY TO CONTACT THE SUPPLIER FOR THE CORRECT POSITION.</small>		DWN: G. GARRETT 01DEC2004 ENR: M. DELPHIAS 01DEC2004 APVD: M. DELPHIAS 01DEC2004	tyco Electronics Tyco Electronics Harrisburg, PA 17105-3608
DIMENSIONS: MMI [INCHES]	TOLERANCES UNLESS OTHERWISE SPECIFIED:	PRODUCT SPEC APPLICATION SPEC	NAME: ASSEMBLY, AMPTRAC PCB SENSOR STRIP, 24 PORT SIZE: CAGE CODE DRAWING NO. RESTRICTED TO A1 00779 C=1777014
0 PLC ± 1 PLC ± 2 PLC ± 3 PLC ± 4 PLC ± ANGLES ±	± ± ± ± ± ±	WEIGHT: - CUSTOMER DRAWING	SCALE: 3:1 SHEET 1 OF 2 REV B

LOC		DIST		REVISIONS			
P	LTR	DESCRIPTION	DATE	DNW	APVD		
-	-	SEE SHEET 1	-	-	-		



1777014-2 SHOWN

<small>THE DIMENSIONS TO UNLESS SPECIFIED ARE IN MILLIMETERS AND DECIMAL INCHES. DIMENSIONS IN PARENTHESES ARE IN INCHES AND DECIMAL INCHES. DIMENSIONS IN BRACKETS ARE IN MILLIMETERS AND DECIMAL MILLIMETERS. DIMENSIONS IN SQUARE BRACKETS ARE IN INCHES AND DECIMAL INCHES. DIMENSIONS IN DIAMETERS ARE IN INCHES AND DECIMAL INCHES. DIMENSIONS IN ANGLES ARE IN DEGREES AND MINUTES. DIMENSIONS IN TOLERANCES ARE IN MILLIMETERS AND DECIMAL MILLIMETERS. DIMENSIONS IN TOLERANCES ARE IN INCHES AND DECIMAL INCHES. DIMENSIONS IN TOLERANCES ARE IN MILLIMETERS AND DECIMAL MILLIMETERS. DIMENSIONS IN TOLERANCES ARE IN INCHES AND DECIMAL INCHES.</small>		DWN G. GARRETT 01DEC2004 ENR M. DELPHIAS 01DEC2004 APVD M. DELPHIAS 01DEC2004	tyco Electronics Tyco Electronics Harrisburg, PA 17105-3608
DIMENSIONS: MM [INCHES]	TOLERANCES UNLESS OTHERWISE SPECIFIED: 0 PLC ± 1 PLC ± 2 PLC ± 3 PLC ± 4 PLC ± ANGLES ±	PRODUCT SPEC APPLICATION SPEC WEIGHT CUSTOMER DRAWING	NAME ASSEMBLY, AMPTRAC PCB SENSOR STRIP, 24 PORT SIZE CAGE CODE DRAWING NO. RESTRICTED TO A 00779 C-1777014 SCALE 3:1 SHEET 2 OF 2 REV B